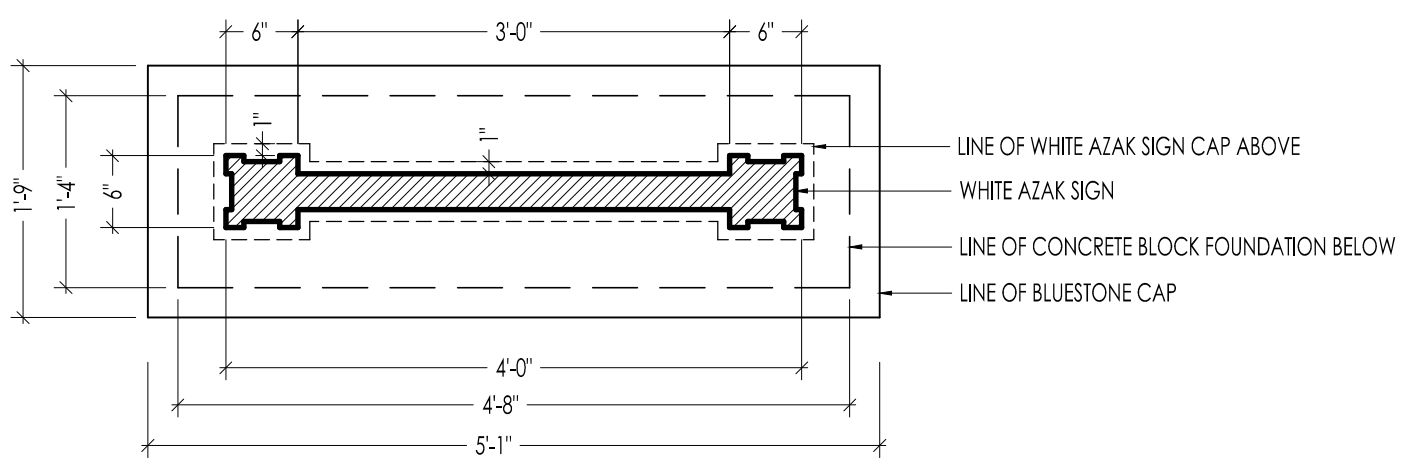


SIGN ELEVATION

3/4" = 1'-0"



SIGN PLAN-SECTION

3/4" = 1'-0"